

U8_5030

DRY INLAY applications



retail



item identification



ticket



fashion

U8_5030 is the perfect tag item allround identification in a very common and convenient format 52x32 mm. It has very good performance also applied to cardboard, book, jeans and it expresses the best when applied to plastic materials.

product SPECIFICATIONS

Frequency	UHF (860-960 MHz)
Protocol	UHF EPC Class 1 Gen 2
Integrated Circuit	NXP UCODE 8
EPC size / TID size	128 bit / 96 bit
User Memory	0 bit
Operating Temperature	-40°C/85°C (-40°F/185°F)
Data Retention	50 years
Endurance	100.000 cycles
Inlay Material	PET 38µ / AL 10µ

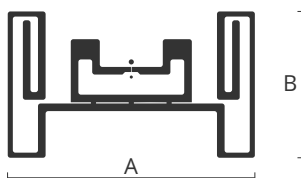
delivery CONDITIONS

Packaging	Roll
Roll outer diameter	min. 150/max. 500 mm (min. 5.9/max. 19.7 in)
Unwinding mode	Antenna outside of roll
Antenna direction	head
Orientation	horizontal

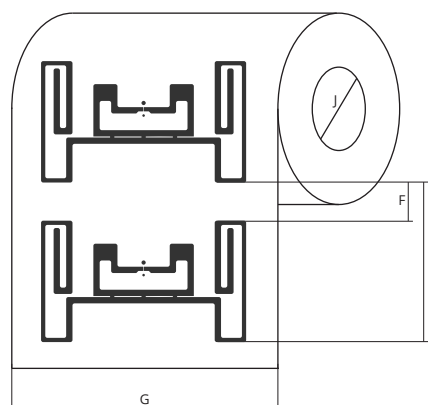
antenna DIMENSIONS

A x B	Antenna size	50 x 30 mm (1.97 x 1.18 in)
E	Pitch	37.62 mm (1.49 in)
F	Gap	5.62 mm (0.22 in)
G	Web width	60 mm (2.36 in)
J	Core size	76 mm (3.00 in)

inlay DESIGN



roll DIMENSIONS



optional SERVICES

RFID control

inlay STACKUP

